

Instructions:

- 1 This activity is done in groups of five
- 2 Each group is required to build their very own American football game using materials such as papers, paper cups, masking tape, cotton balls, Popsicle sticks, straws, bottle cap, rubber bands and a small ball.
- 3 Firstly, build the bench for spectators using papers, cotton balls and paper cups (**Diagram 1**).
- 4 Then, for the goal post, attach Popsicle sticks to form an 'T' shaped goal. Next, tape two straws at each end of the top goal post. Glue the goal post on a piece of paper (**Diagram 2**).
- 5 For the football kicker, attach two wooden sticks in the shape of 'T'. After that, glue the bottle cap at one end of the wooden stick (**Diagram 3**).
- 6 Finally, put the small ball into the bottle cap and shoot into the goal post.
- 7 The group with the highest score wins.

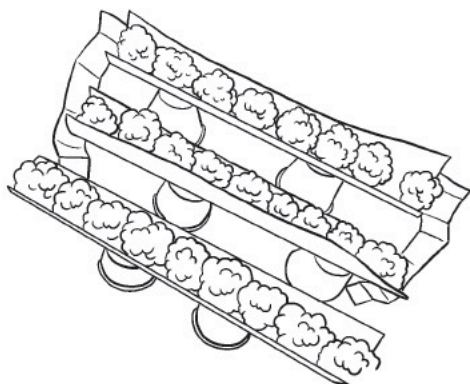


Diagram 1

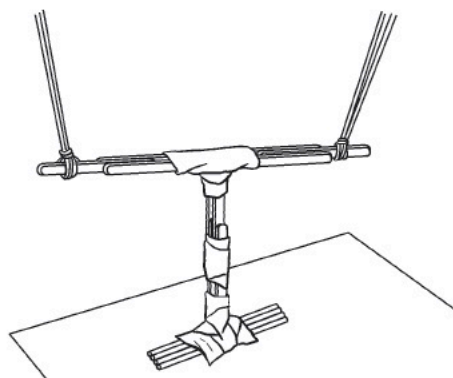


Diagram 2

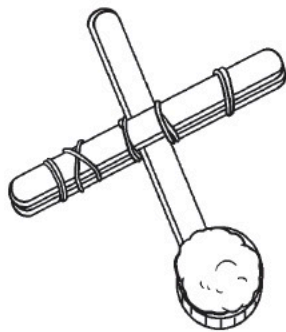


Diagram 3